

SDN-PWR

Wireless Wide-Range Global Power Meter

Date: _____

Quantity: _____

Company: _____

Project: _____

The Digital Lumens SDN-PWR is a wireless, wide-range, power meter that collects non-lighting power consumption and characteristics data. This versatile meter links electric loads with the SiteWorx Sense application to deliver powerful reporting, alerts, and actionable intelligence.



Key Features & Benefits

- Meter individual electrical loads in a building for a detailed and comprehensive view of consumption
- Simplify activity-based costing to accurately allocate power consumption to each product line, facility area, or individual machine
- Analyze and optimize equipment use schedules to maximize utilization efficiency
- Analyze power characteristics such as power factor, reactive power, apparent power, real power, current, and voltage to perform predictive maintenance and find problems before they happen
- Incorporates Lightelligence®, the Digital Lumens core technology that ensures openness, connectivity, scalability, and security

Facility-Wide Insight

SiteWorx® Sense and SiteWorx-enabled smart sensors empower facility managers to automate and centralize critical environmental and process data, gain insight into previously invisible areas, apply data trends to minimize loss and leakage, identify predictive maintenance opportunities, and implement activity-based costing.

SiteWorx Sense provides immediate access to customizable alerts, advanced controls, and comprehensive, cloud-based reporting accessible via web and mobile applications.

Instrument for the IIoT

With Digital Lumens intelligent LED luminaires and Digital Lightelligence Agent (DLA) lighting controls, your facility is immediately instrumented with SiteWorx, an easily expandable Industrial IoT solution that enables rapid deployment of additional sensor-based applications that extend beyond lighting to deliver even greater operational insight and create new value streams.

Quality and Reliability

Digital Lumens products are designed and manufactured to satisfy the highest standards of customers worldwide and deliver performance, reliability, and long life.

Specifications

SENSING AND CONTROL

Wireless Networking

- IEEE 802.15.4
- 2.4 GHz Band

Connected IoT Platform

- SiteWorx Sense

Reported Power Characteristics

- kWh
- Reactive Power
- Apparent Power
- Real Power
- Current
- Voltage
- Power Factor

PERFORMANCE

Accuracy

- Nominal $\pm 0.5\%$

Sampling Rate

- 1 sample/minute default

Sample Interval

- 1 to 5 minute (5 minute default)

ELECTRICAL

Nominal Operating Voltage

- 100 to 600 VAC (line-to-neutral or line-to-line)

Maximum & Minimum Operating Voltage

- $\pm 10\%$ on nominal

Power Factor

- 0.6

Phase Monitoring

- Wye and delta, single and three phase

Line Frequency

- 45 to 65 Hz

Supply Watts

- < 2 W

Supply Volt-Amperes

- < 4 VA

Connectors

- Euroblock style pluggable screw terminal blocks

ENVIRONMENTAL

Operating Temperature

- -40° to 80° C (-40° to 176° F)

Operating Humidity

- 5% to 90% up to 40° C (104° F), decreasing linearly to 50% at 55° C (131° F)

PHYSICAL

Enclosure

- High-impact, ABS/PC plastic

Dimensions (H x W x D)

- 135 x 85 x 45 mm (5.47 x 3.34 x 1.77 inches)

Weight

- 233 g (8.2 oz)

Mounting Hole Diameter

- 5.1 mm (0.2 inch)

WARRANTY

- 5-Year Limited

CERTIFICATIONS & SAFETY

Approbations

- UL/cUL, CE, FCC Part 15 Class A



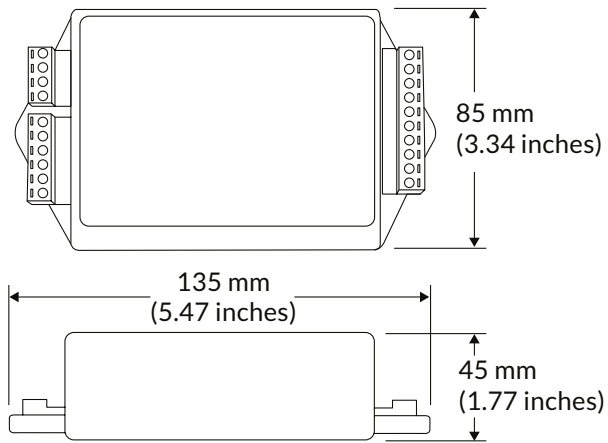
lightelligence
enabled

Ordering Information

Part Number

SDN-PWR-GP

Dimensions



Connection Terminal Diagram

