

DLA-VS

Multi-Purpose Rugged Digital Lightelligence Agent

Date: _____

Quantity: _____

Company: _____

Project: _____

The DLA-VS brings wireless sensing and control to any 0-10V or DALI dimmable luminaire.

Designed to be mounted to any flush surface, the DLA-VS delivers advanced controls, powerful reporting, instant alerts, and actionable intelligence when used with SiteWorx Tune intelligent lighting control application.



Key Features & Benefits

- Brings the power of Lightelligence® to a wide-range of third-party luminaires
- Continuous dimming (on supported drivers) and utility-grade switched-line power metering (up to the rated amperage)
- One, easy-to-spec form factor to support both standard interfaces - DALI and 0-10V — that's perfect for remote-mounting to control a number of luminaires (up to the rated amperage)
- Sensor performance up to 30 m (100 ft) with optional super high-bay lens
- IP66 and NSF rated, the DLA-VS is designed for the most demanding industrial environments
- Incorporates Lightelligence, the Digital Lumens core technology that ensures openness, connectivity, scalability, and security

Digital Lumens' suite of SiteWorx® applications and an array of smart devices can meter your utilities, monitor your entire facility, and observe critical areas. SiteWorx starts delivering meaningful data and actionable insights right out of the box. Now you can make data-informed decisions, spot hidden problems, and take immediate action. All while keeping your people safe and productive and your operation efficient and sustainable.

SiteWorx Tune is an intelligent lighting control application that uses smart sensors and advanced cloud-based software to maximize energy savings, improve productivity, and maintain safe, comfortable light levels. It brings new control and savings to your lighting infrastructure. With SiteWorx Tune, you can stay informed via the Savings dashboard, which displays real-time energy usage and savings data.

Digital Lumens products are designed and manufactured to satisfy the highest quality standards of customers worldwide. Our products deliver performance, reliability, and long life and are supported by a global network of partners and product specialists.

Specifications

SENSING AND CONTROL

Wireless Networking

- IEEE 802.15.4 Compatible
- 2.4 GHz Band

Connected IoT Platform

- SiteWorx Facility Insights Application Suite

Onboard Intelligence

- Distributed sensing and control
- Facility usage data-logging

Sensor Capabilities

- Occupancy sensing (PIR)
- Integrated daylight sensor
- Integrated power monitoring

Dimming Interface

- Dim range based on driver
- 0-10V dimming (sinking only) or DALI-compatible (powered)

DALI Device Limit

- (3x) DALI drivers

0-10V Device Limit

- Refer to Load/Relay rating

ELECTRICAL

Input Voltage

- DALI: 120 to 277 VAC (UL) / 120 to 240 VAC (CE)
- 0-10V: 120 to 480 VAC (UL) / 120 to 240 VAC (CE)

Load/Relay Rating

- DALI: 3.5 A
- 0-10V:
 - 3.5 A @ 120 VAC
 - 1.5 A @ 277 VAC
 - 1.2 A @ 347 VAC
 - 0.67 A @ 480 VAC

Power Consumption

- DALI: 0.5 W
- 0-10V:
 - 0.5 W Standby
 - 1 W Active

Power Wires

- DALI:
 - Brown: Line
 - Blue/White: Neutral
 - Red: Switched Metered Line
- 0-10V:
 - Brown: Line
 - Blue: Neutral
 - Red: Switched Metered Line

Control Wires

- DALI:
 - Yellow/White: DALI+
 - Yellow: DALI-

- 0-10V:
 - Purple: 0-10V+
 - Pink: 0-10V-

Surge Rating

- DALI:
 - 1 kV line-neutral
 - 2 kV common
- 0-10V:
 - 1 kV line-neutral
 - 2 kV common

DALI Control Bus Power

- DALI: 60 mA @ 14 VDC typical
- 0-10V: N/A

ENVIRONMENTAL

Operating Temperature

- -20° to 50°C (-4° to 122°F)

Operating Humidity

- 0% to 95% non-condensing

PHYSICAL

Enclosure

- Sabic - Valox™

Dimensions (H x W x D)

- With Tabs
124 x 98 x 124 mm (4.88 x 3.87 x 3.55 inches)
- Without Tabs
97 x 98 x 124 mm (3.83 x 3.87 x 3.55 inches)

Weight

- 289 g (10.2 oz)

Mounting Method

- Surface/Flush mounted

Mounting Height

- Up to 15 m (50 ft) – Standard
- Up to 30 m (100 ft) – Optional super high-bay lens

Mounting Hole Diameter

- 65 mm (0.26 inch)

Mounting Hole Spacing

- (2x) centerline; 108 mm (4.25 inches) apart

WARRANTY

- 5-Year Limited

CERTIFICATIONS & SAFETY

Approbations

- UL/cUL 60730-1, CE, CFR 47 FCC Part 15 Subpart B, CSA E60730-1, NSF

Environmental Suitability

- IP66, UL Wet Location, NSF/ANSI Standard 2 – Food Equipment



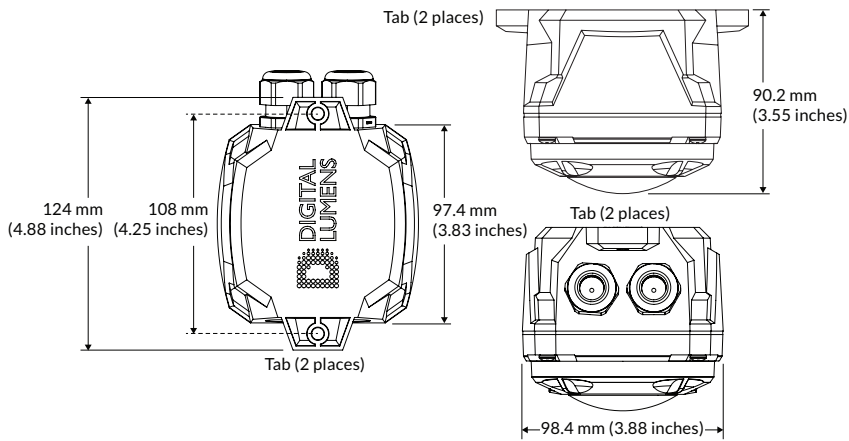
Ordering Information

Part Number	Description
DLA-VS-00-H	0-10V, High Bay
DLA-VS-01-H	DALI, High Bay

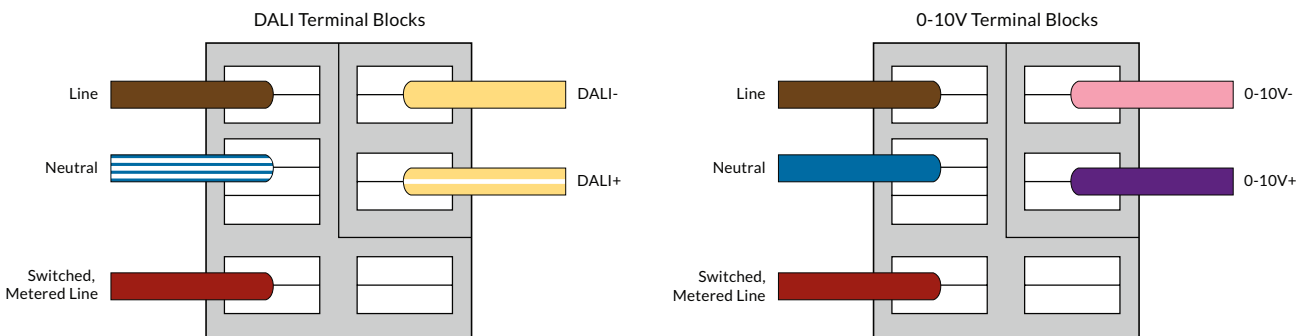
Accessory

Part Number	Description
DLA-LENS-SHB-5	Digital Light Agent, Super High Bay Lens, CLE, DLE 5-Pack

Dimensions

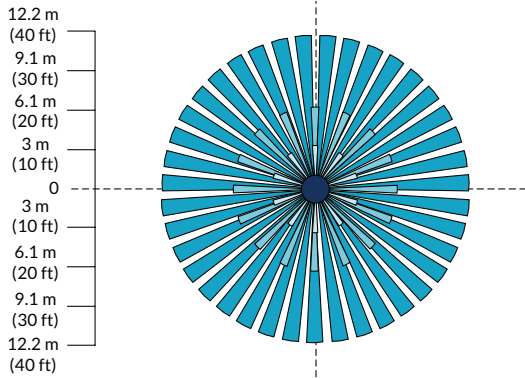


Wiring Diagrams



Sensor Coverage

Top View



Side View

