



<b>Prüfbericht-Nr.:</b> <i>Test Report No.:</i>	50111878 001	<b>Auftrags-Nr.:</b> <i>Order No.:</i>	164112563	<b>Seite 1 von 5</b> <i>Page 1 of 5</i>
<b>Kunden-Referenz-Nr.:</b> <i>Client Reference No.:</i>	N/A	<b>Auftragsdatum:</b> <i>Order date:</i>	2017-11-24	
<b>Auftraggeber:</b> <i>Client:</i>	<b>Dongguan Thailight Semiconductor Lighting Co., Ltd.</b> Sanhui Ind. Area, Cunwei, Hengli Town, Dongguan, P.R. China			
<b>Prüfgegenstand:</b> <i>Test item:</i>	LED Street light			
<b>Bezeichnung / Typ-Nr.:</b> <i>Identification / Type No.:</i>	TLSTC30XSFZZ, TLSTC30XSAZZ			
<b>Auftrags-Inhalt:</b> <i>Order content:</i>	Type test			
<b>Prüfgrundlage:</b> <i>Test specification:</i>	Static load test according to Clause 3.6.3.1 of EN 60598-2-3:2003+A1:2011			
<b>Wareneingangsdatum:</b> <i>Date of receipt:</i>	2017-11-24	See photos in test report		
<b>Prüfmuster-Nr.:</b> <i>Test sample No.:</i>	A000653244			
<b>Prüfzeitraum:</b> <i>Testing period:</i>	2017-12-04 to 2017-12-21			
<b>Ort der Prüfung:</b> <i>Place of testing:</i>	See page 2			
<b>Prüflaboratorium:</b> <i>Testing laboratory:</i>	<b>TÜV Rheinland (Shenzhen) Co., Ltd.</b>			
<b>Prüfergebnis*:</b> <i>Test result*:</i>	Pass			
<b>geprüft von / tested by:</b>		<b>kontrolliert von / reviewed by:</b>		
2017-12-27	Martin Ma / Engineer		2017-12-27	Allan Huang / Supervisor
<b>Datum</b> <i>Date</i>	<b>Name / Stellung</b> <i>Name / Position</i>	<b>Unterschrift</b> <i>Signature</i>	<b>Datum</b> <i>Date</i>	<b>Name / Stellung</b> <i>Name / Position</i>
				
				<b>Unterschrift</b> <i>Signature</i>
<b>Sonstiges / Other:</b> This report is issued for the test specification described above to the model as per request by the client.				
<b>Zustand des Prüfgegenstandes bei Anlieferung:</b> <i>Condition of the test item at delivery:</i>		<b>Prüfmuster vollständig und unbeschädigt</b> <i>Test item complete and undamaged</i>		
* Legende:	1 = sehr gut P(ass) = entspricht o.g. Prüfgrundlage(n)	2 = gut F(ail) = entspricht nicht o.g. Prüfgrundlage(n)	3 = befriedigend N/A = nicht anwendbar	4 = ausreichend N/T = nicht getestet
Legend:	1 = very good P(ass) = passed a.m. test specification(s)	2 = good F(ail) = failed a.m. test specification(s)	3 = satisfactory N/A = not applicable	4 = sufficient N/T = not tested
<b>Dieser Prüfbericht bezieht sich nur auf das o.g. Prüfmuster und darf ohne Genehmigung der Prüfstelle nicht auszugsweise vervielfältigt werden. Dieser Bericht berechtigt nicht zur Verwendung eines Prüfzeichens.</b> <i>This test report only relates to the a. m. test sample. Without permission of the test center this test report is not permitted to be duplicated in extracts. This test report does not entitle to carry any test mark.</i>				

<b>Test item description</b> ..... :	LED Street light
Trade Mark..... :	N/A
Factory .....	Same as Applicant
Model/Type reference .....	TLSTC30XSFZZ, TLSTC30XSAZZ
Ratings .....	See product information

<b>Tests performed (name of test and test clause):</b>		<b>Testing location:</b>
<b>Clause(s)</b>	<b>Test(s)</b>	<b>CCIC Southern Electronic Product Testing (Shenzhen) Co., Ltd.</b>
EN 60598-2-3:2002+A1:2011		Electronic Testing Building, Shahe Road, Xili, Nanshan District, Shenzhen, China
3.6.3.1	Static load test	

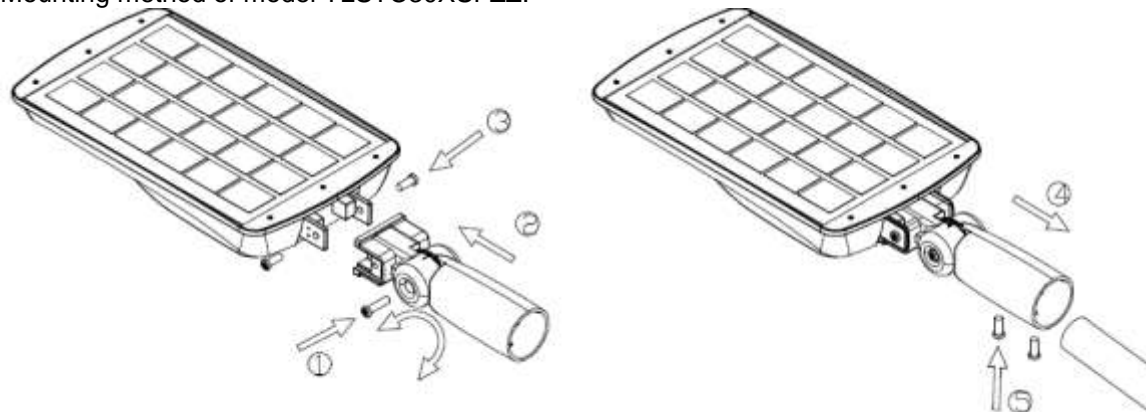
**Copy of marking plate:**  
Not provide.

**Testing:**  
Date of receipt of test item..... : See cover page  
Date (s) of performance of tests..... : See cover page

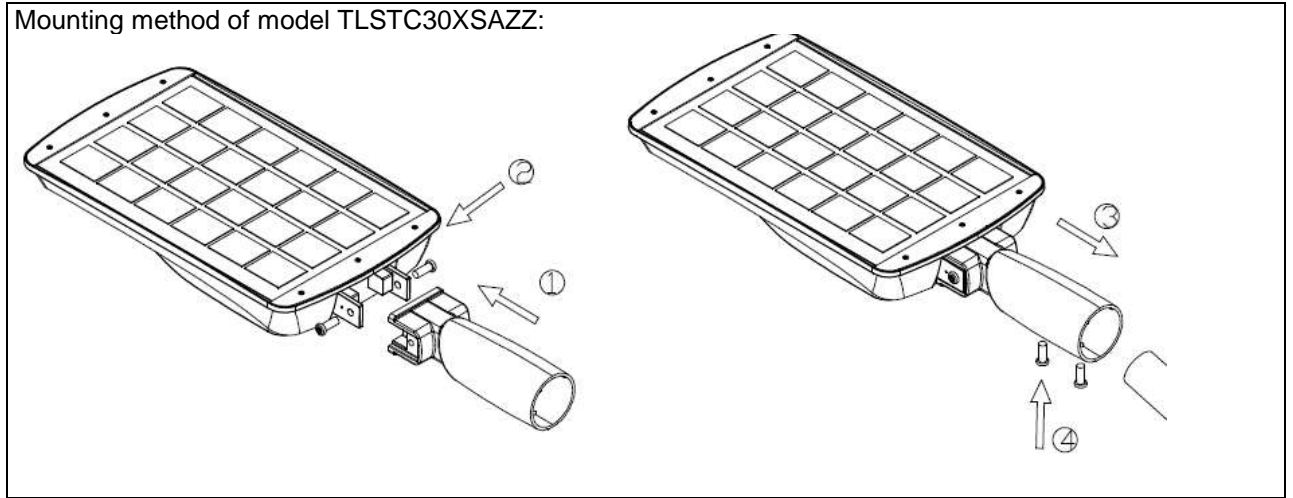
**General remarks:**  
The test results presented in this report relate only to the object tested.  
This report shall not be reproduced, except in full, without the written approval of the Issuing testing laboratory.  
"(See Enclosure #)" refers to additional information appended to the report.  
"(See appended table)" refers to a table appended to the report.  
Throughout this report a comma (point) is used as the decimal separator.  
List of test equipment must be kept on file and available for review.

**General product information:**  
Product: Street light  
This report is only for static load test.  
Models TLSTC30XSFZZ and TLSTC30XSAZZ all design for installation on a mast arm, mounting not more than 8m above ground level:

Mounting method of model TLSTC30XSFZZ:



Mounting method of model TLSTC30XSAZZ:

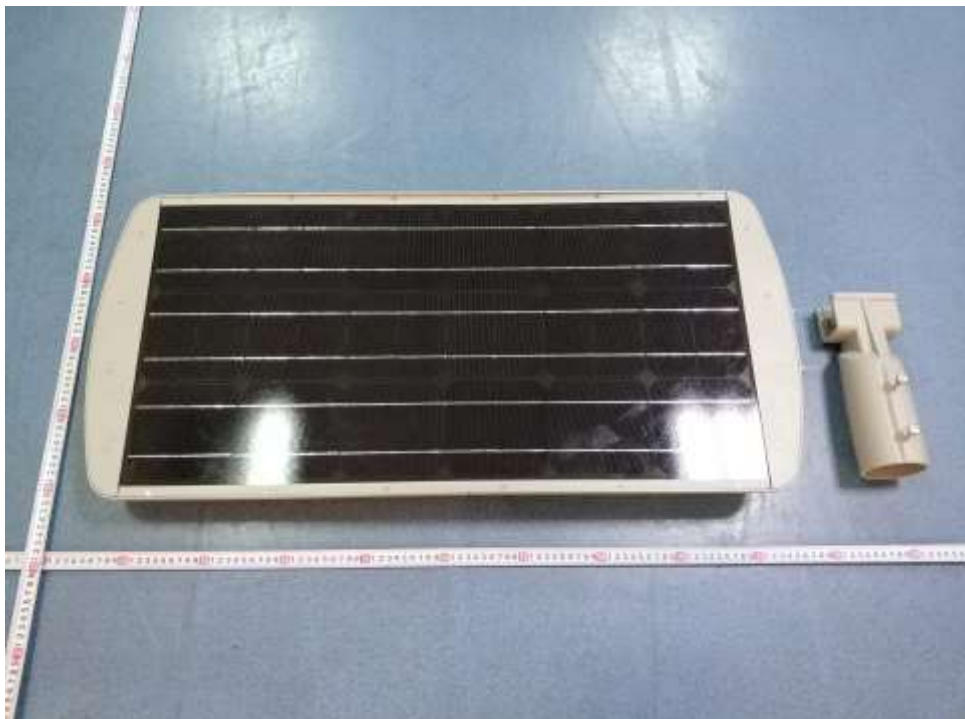


<b>EN 60598-2-3</b>			
Clause	Requirement + Test	Result – Remark	Verdict
3.6.3 (-)	Means for attaching the luminaire or external parts to its support appropriate to the weight		P
3.6.3.1 (-)	Static load test (for model TLSTC30XSFZZ)		P
	- drag coefficient.....:	1,2	P
	- loaded area (m <sup>2</sup> ).....:	0,378	P
	- used load (N).....:	563	P
	- measured deformation (cm/m) .....	1,4 cm/m<2 cm/m	P
	- no rotation		P
3.6.3.1 (-)	Static load test (for model TLSTC30XSAZZ)		P
	- drag coefficient.....:	1,2	P
	- loaded area (m <sup>2</sup> ).....:	0,378	P
	- used load (N).....:	563	P
	- measured deformation (cm/m) .....	1,7 cm/m<2 cm/m	P
	- no rotation		P

Photo of test sample:



Picture 1 Overall view of TLSTC30XSFZZ



Picture 1 Overall view of TLSTC30XSAZZ