

SWN-WIO

Wireless Input and Output Module

Date: _____

Quantity: _____

Company: _____

Project: _____



The **SWN-WIO** is a wireless, multi-function, DIN rail-mounted Input/Output module that integrates many sensory devices and load control capabilities with SiteWorx Sense.

To integrate sensory devices, the SWN-WIO supports Modbus devices such as Airborne Particle Counters, Air Quality Monitors, Differential Pressure Sensors, Flow Sensors, Accelerometers, Gas Sensors, and more.

In addition, the SWN-WIO supports analog sensors, probes, and noise-level sensors.

Relay control and power load control support are capabilities included and easily implemented.

The SWN-WIO is a robust, multi-function, smart device that connects diverse equipment, sensors, and more — bringing insights and actions to SiteWorx Sense.

SiteWorx Application

- SiteWorx Sense



Key Features & Benefits

- Native Modbus Support — you can utilize serial Modbus-enabled sensors and monitoring devices within SiteWorx Sense. Devices such as Airborne Particle Counters, Air Quality Monitors, Differential Pressure Sensors, Flow Sensors, Accelerometers, Gas Sensors, and more are supported
- Provides native 0-10V and 4 to 20 mA compatibility to interface with a variety of industrial sensors, relays, and load control devices — reducing integration costs and installation complexity
- Monitor facility environment, optimize processes, or better understand line-level cost allocation through real-time data
- Dramatically reduce reporting time by automating auditable, secure, and unalterable record storage and reporting
- Enables SiteWorx[®] Sense to monitor sensory data and environmental conditions from a variety of compatible sensor types
- Incorporates Lightelligence[®], the Digital Lumens core technology that ensures openness, connectivity scalability, and security

Specifications

SENSING AND CONTROL

Smart Device Integration

- Allows integration of a wide-range of supported analog sensor types to monitor operational status of equipment, environmental conditions, air quality, volumetric flow and more

Load Control

- Enables automated load control for motors, fans, and other facility equipment

Network Communication

- Lightelligence Wireless Mesh Network IEEE 802.15.4 enabling communication with Digital Lumens Smart Devices

Technology Platform

- Incorporates **Lightelligence®**, the Digital Lumens core technology that ensures openness, connectivity, scalability, and security

PERFORMANCE

Analog Measurement Accuracy

- Voltage mode $\pm 2\%$
- Current mode $\pm 2\%$

Sampling Rate

- 1 sample / minute default

Sample Interval

- 1 to 5 minute (5 minute default)

Sampling Resolution

- 12-bit

ELECTRICAL

Input Voltage

- 120 to 277 VAC or 24 VDC (Class 2)

Input Power Consumption

- 0.5 W quiescent, 4 W maximum

Surge Protection

- Per IEC60730

Analog Inputs

- (2x) 4 to 20 mA / 0 to 10 VDC

Analog Input Voltage (in Voltage Mode)

- 0 to 24 VDC (1.5V in 4 to 20 mA mode)

Relay Output

- Switch relay up to 60V, 0.5A

Auxiliary Output

- 24 VDC, 2.75 W maximum

Serial Port

- Electrically isolated RS-485

ENVIRONMENTAL

Operating Temperature

- -20° to 50°C (-4° to 122°F)

Operating Humidity

- 0% to 95%, non-condensing

PHYSICAL

Enclosure

- PC plastic

Dimensions (H x W x D)

- 107 x 91 x 58 mm (4.2 x 3.6 x 2.3 inches)

Weight

- 224 g (7.9 oz)

Mounting Option

- DIN Rail Mount — 35 mm (1.4 inches)

WARRANTY

- 5-Year Limited

CERTIFICATIONS & SAFETY

Approbations

- UL/cUL, UL-NOM (pending), CE, FCC Part 15 Class B

Environmental Suitability

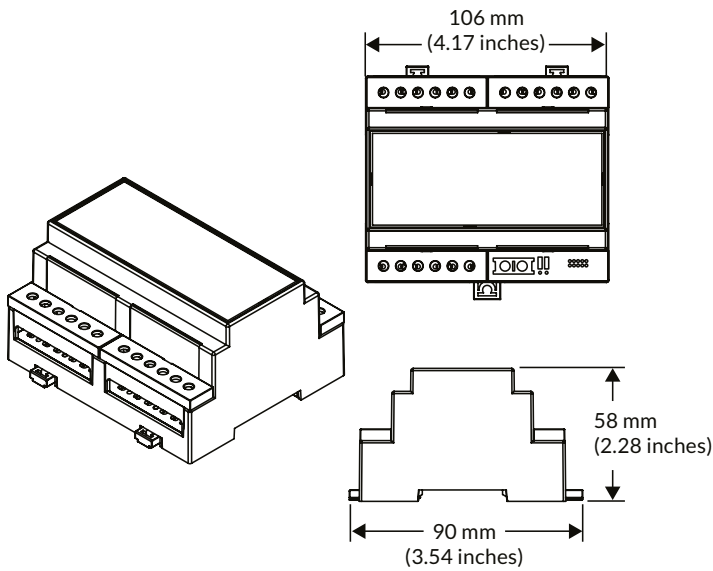
- IP20



lightelligence
wireless mesh network

lightelligence
enabled

Dimensions

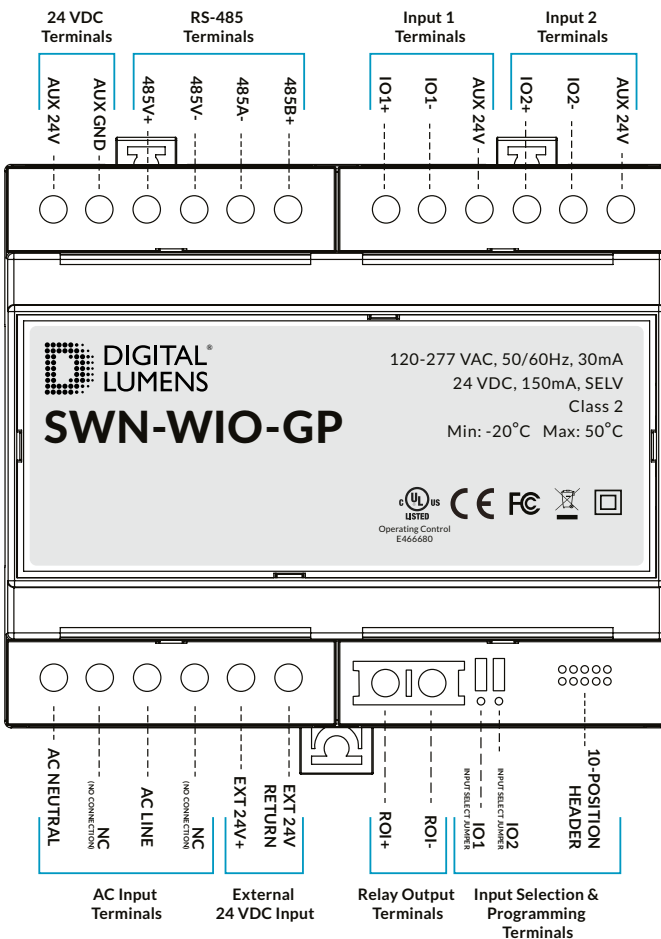


Ordering Information

Part Number

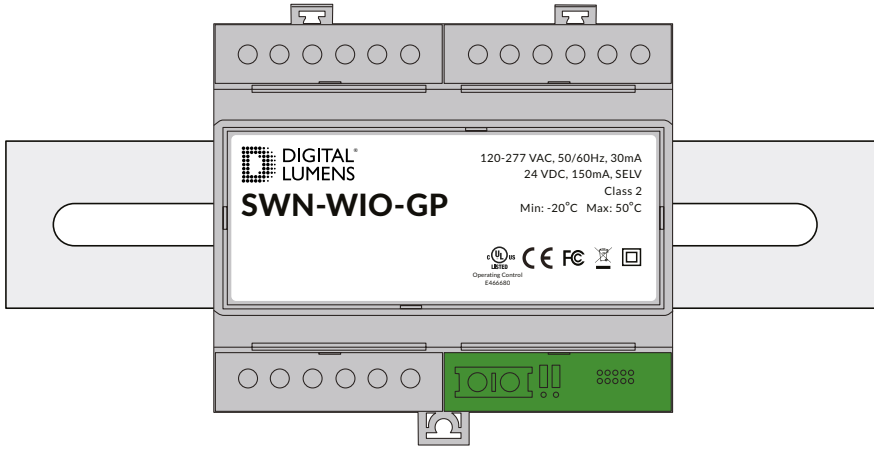
SWN-WIO-GP

Wiring Diagram



Mounting Option

DIN Rail Mount



Copyright © 2023 Digital Lumens, Incorporated. All rights reserved.

Digital Lumens, the Digital Lumens logo, We Generate Facility Wellness, SiteWorx, LightRules, and Lightelligence, and any other trademark, service mark, or tradename (collectively "the Marks") are either trademarks or registered trademarks of Digital Lumens, Inc. in the United States and/or other countries, or remain the property of their respective owners that have granted Digital Lumens, Inc. the right and license to use such Marks and/or are used herein as nominative fair use. Due to continuous improvements and innovations, specifications may change without notice.

DOC-004012-00 Rev F 12-22